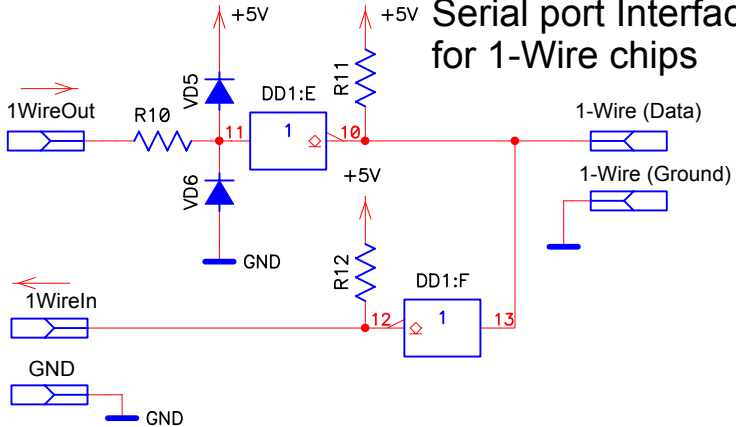


## Serial port Interface for 1-Wire chips



Net	Direction	PC-25	PC-9	Name
GND		7	5	GND
1-WireOut	→	2	3	TXD
1-WireIn	←	3	2	RXD

PC 25: Serial (PC-25) Connector

PC 9: Serial (PC-9) Connector

Signal direction: PC Serial port - programmer

+5V - external voltage

+5V to pin 14 DD1

GND to pin 7 DD1

DD1- 74LS05 (54LS05, M74HC05,  
KR1533LN2, KR555LN2 etc...)

VD1..VD6 - any impulse diode with  
reverse voltage >15V

R1..R12 - 2 kOm